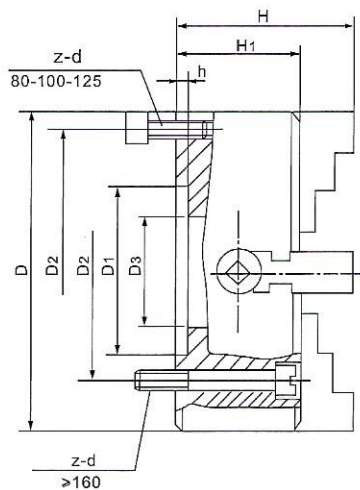


K72 Series

4-Jaw Independent Chucks Plain Back



FSD™ High Quality Cast Iron Body

Standard accessories:

- 1 Set of hard solid reversible jaws
- 1 Chuck wrench
- 1 Set of mounting bolts
- 1 Hex key

Chuck Size D	D1	D2	Hole Dia. D3	H	H1	h	z-d	Chuck Model
80	55	66	22	58	42	3	4-M6	K72-80
100	72	84	25	77	54	3	4-M8	K72-100
125	95	108	30	78	56	4.5	4-M8	K72-125
160	65	95	45	96.5	65	5	4-M10	K72-160
160	130	145	40	96.5	65	5	4-M10	K72-160B
200	75	95	56	113	78	6	4-M10	K72-200
250	100	120	65	116.5	82	6	4-M12	K72-250
300	152	130	75	137.5	85	6	4-M12	K72-300
320	140	165	95	141.5	90	6	4-M16	K72-320
350	130	168	80	146.5	95	8	4-M16	K72-350
400	160	185	125	143	95	8	4-M16	K72-400
450	180	205	140	147	100	8	4-M16	K72-450
500	200	236	160	161	106	8	4-M20	K72-500
630	220	258	180	181	116	10	4-M20	K72-630
800	250	300	210	210	136	12	4-M20	K72-800
1000	320	370	260	241	152	15	4-M20	K72-1000
1250	285	330.2	180	254	165	25	8-M24	K72-1250

Unit:mm