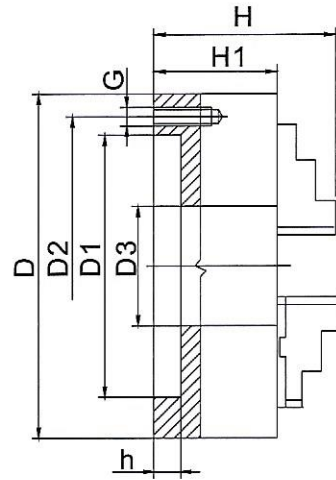
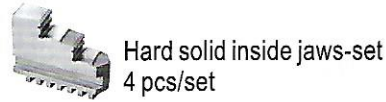
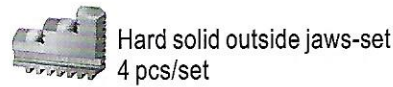
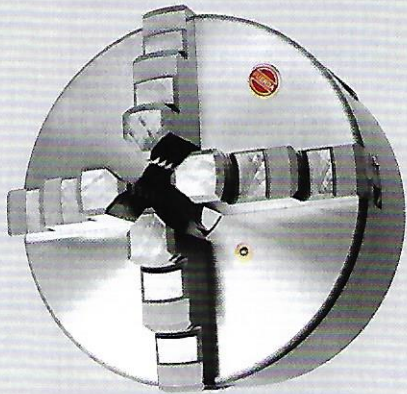


K12 Series

4-Jaw Self-Centering Chucks

Plain Back, Two Sets of Hard Solid Jaws



FSD™ High Quality Cast Iron Body

Standard accessories:

- 1 Set of hard solid outside jaws
- 1 Set of hard solid inside jaws
- 1 Chuck wrench
- 1 Set of mounting bolts
- 1 Hex key
- Eye bolts for chucks 315 and upper

Optional accessories:

- 1 Set of hard top jaws
- 1 Set of hard master jaws
- 1 Set of soft top jaws
- 1 Set of soft solid jaws

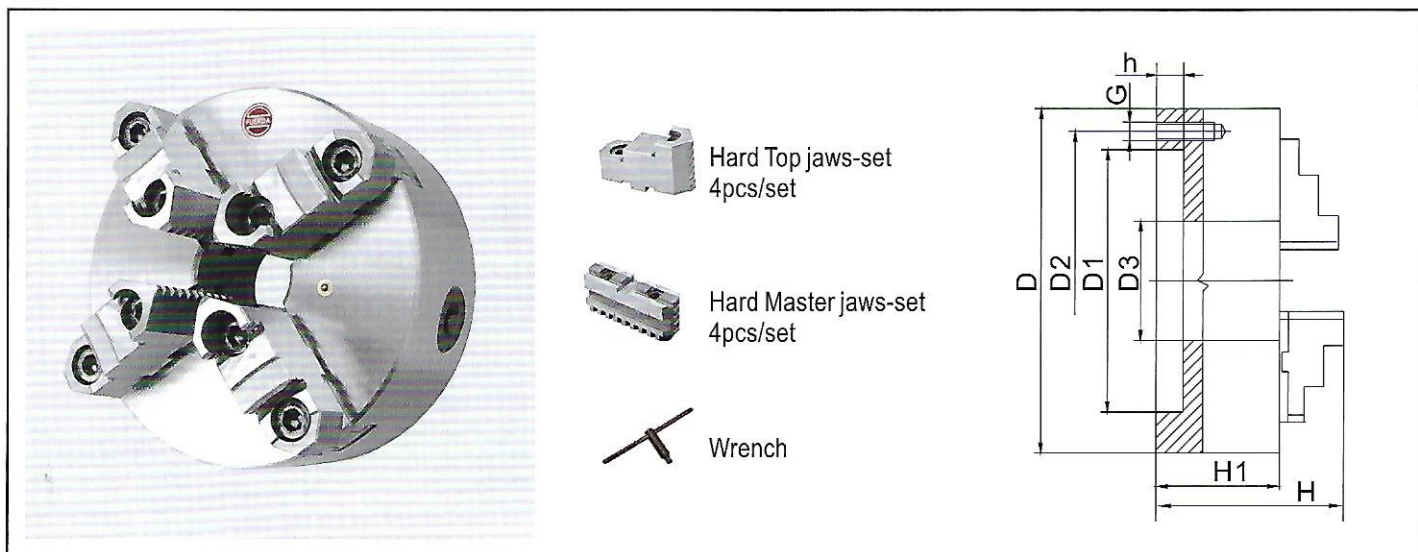
Chuck Size D	D1	D2	Hole Dia. D3	H	H1	h	G	NM Max. Input Torque	R.P.M Max. Speed	Chuck Model
80	55	66	16	66.5	50	3	3-M6	40	4000	K12-80
100	72	84	22	74.5	55	3	3-M8	60	3500	K12-100
125	95	108	30	84.5	58	4	3-M8	100	3000	K12-125
130	100	115	30	86.5	60	5	3-M8	100	3000	K12-130
160	130	142	45	94	65	5	3-M8	160	2500	K12-160
165	130	145	45	94	65	5	3-M8	160	2500	K12-165
190	155	172	55	105	75	5	3-M10	250	2000	K12-190
200	165	180	65	109	75	5	3-M10	250	2000	K12-200
230	190	210	70	120	80	5	3-M12	250	1600	K12-230
240	195	215	70	120	80	5	3-M12	320	1600	K12-240
250	206	226	80	120	80	5	3-M12	320	1600	K12-250
315	260	285	100	147.5	90	6	3-M16	400	1200	K12-315
320	270	290	100	147.5	90	6	3-M16	400	1200	K12-320
325	272	296	100	147.5	90	6	3-M16	400	1200	K12-325
380	325	350	130	173.5	100	6	3-M16	500	1000	K12-380
400	340	368	130	173.5	100	6	3-M16	500	1000	K12-400
500	440	465	210	202	115	6	6-M16	630	800	K12-500
630	560	595	260	201	131	7	6-M16	800	800	K12-630
800	450	368.3	320	229	159	20	6-M24	1000	300	K12-800
1000	910	950	460	292	180	9	6-M24	1200	300	K12-1000
1250	1000	1100	550	292	180	9	6-M24	1300	200	K12-1250

Unit:mm

K12 Series

4-Jaw Self-Centering Chucks

Plain Back, Two-piece Hard Reversible Jaws



FSD™ High Quality Cast Iron Body

Standard accessories:

- 1 Set of hard top jaws
- 1 Set of hard master jaws
- 1 Chuck wrench
- 1 Set of mounting bolts
- 1 Hex key
- Eye bolts for chucks 315 and upper

Optional accessories:

- 1 Set of hard solid outside jaws
- 1 Set of hard solid inside jaws
- 1 Set of soft top jaws
- 1 Set of soft solid jaws

Chuck Size D	D1	D2	Hole Dia. D3	H	H1	h	G	NM Max. Input Torque	R.P.M Max. Speed	Chuck Model
125	95	108	30	98	58	4	3-M8	100	3000	K12-125A
130	100	115	30	100	60	5	3-M8	100	3000	K12-130A
160	130	142	45	109	65	5	3-M8	160	2500	K12-160A
165	130	145	45	109	65	5	3-M8	160	2500	K12-165A
190	155	172	55	122	75	5	3-M10	250	2000	K12-190A
200	165	180	65	122	75	5	3-M10	250	2000	K12-200A
230	190	210	70	139	80	5	3-M12	250	1600	K12-230A
240	195	215	70	139	80	5	3-M12	320	1600	K12-240A
250	206	226	80	139	80	5	3-M12	320	1600	K12-250A
315	260	285	100	154.5	90	6	3-M16	400	1200	K12-315A
320	270	290	100	154.5	90	6	3-M16	400	1200	K12-320A
325	272	296	100	154.5	90	6	3-M16	400	1200	K12-325A
380	325	350	130	172.5	100	6	3-M16	500	1000	K12-380A
400	340	368	130	172.5	100	6	3-M16	500	1000	K12-400A
500	440	465	210	204	115	6	6-M16	630	800	K12-500A
630	560	595	260	222.5	131	7	6-M16	800	800	K12-630A
800	450	368.3	320	246	159	20	6-M24	1000	300	K12-800A
1000	910	950	460	292	180	9	6-M24	1200	300	K12-1000A
1250	1000	1100	550	292	180	9	6-M24	1300	200	K12-1250A

Unit:mm