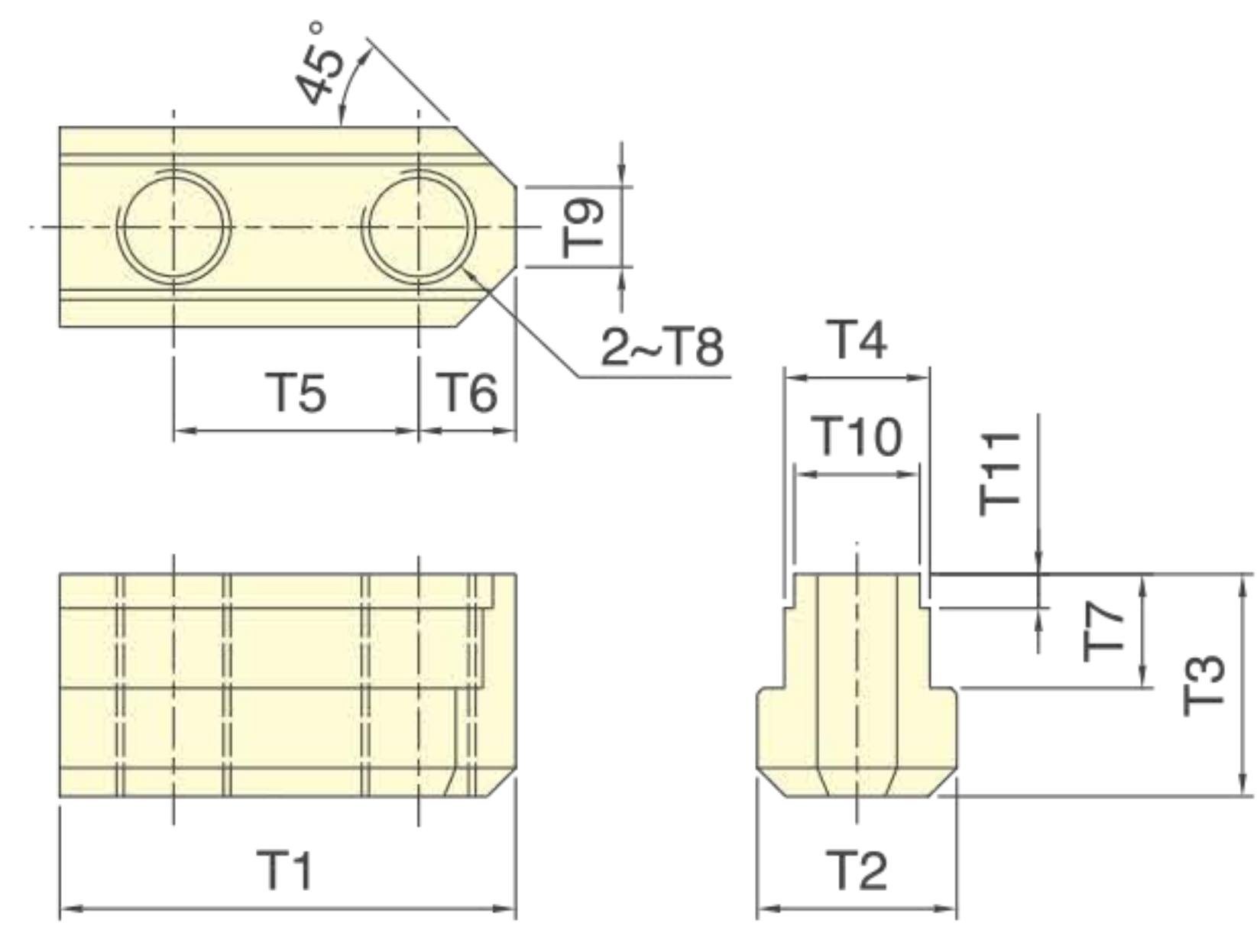
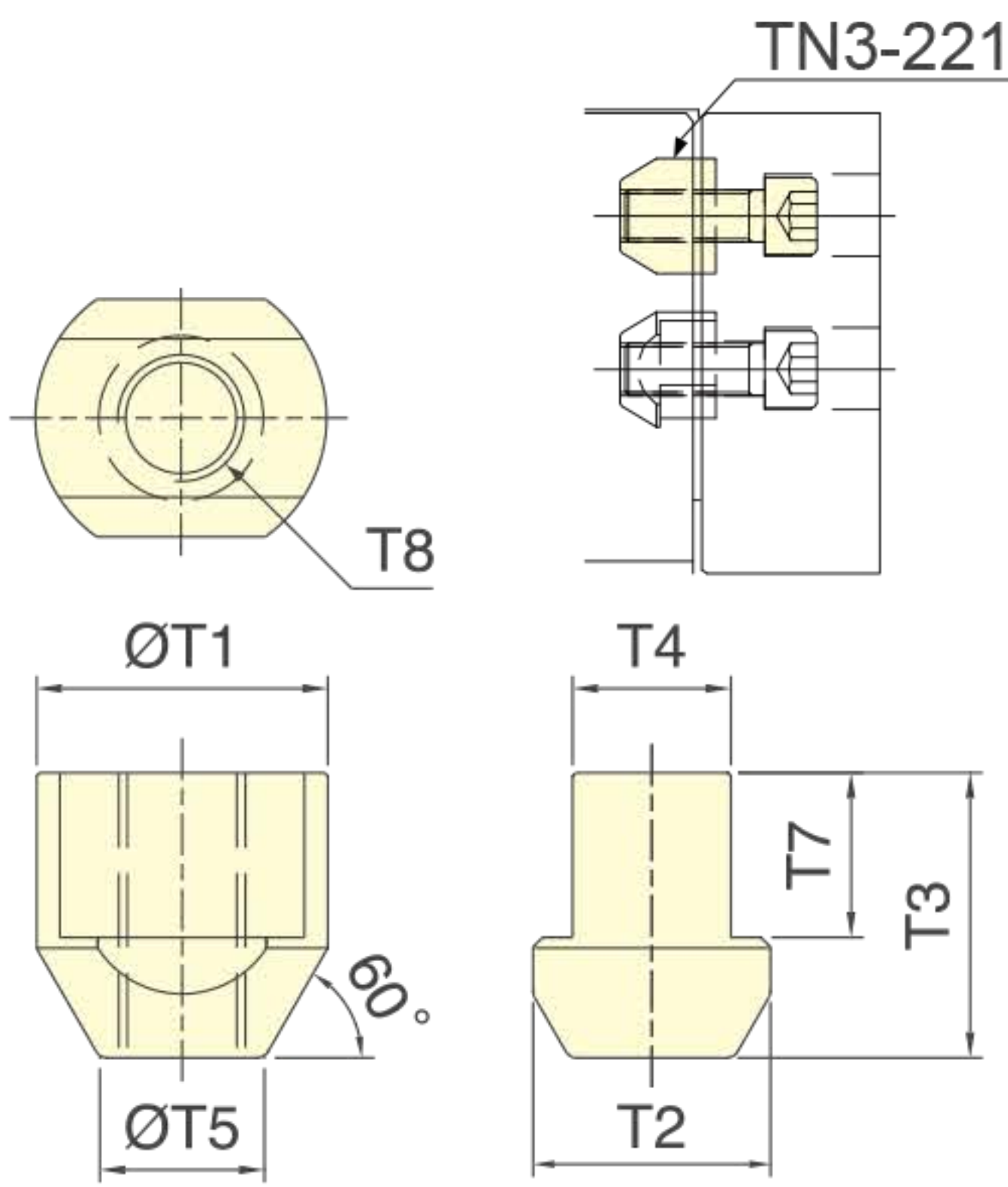


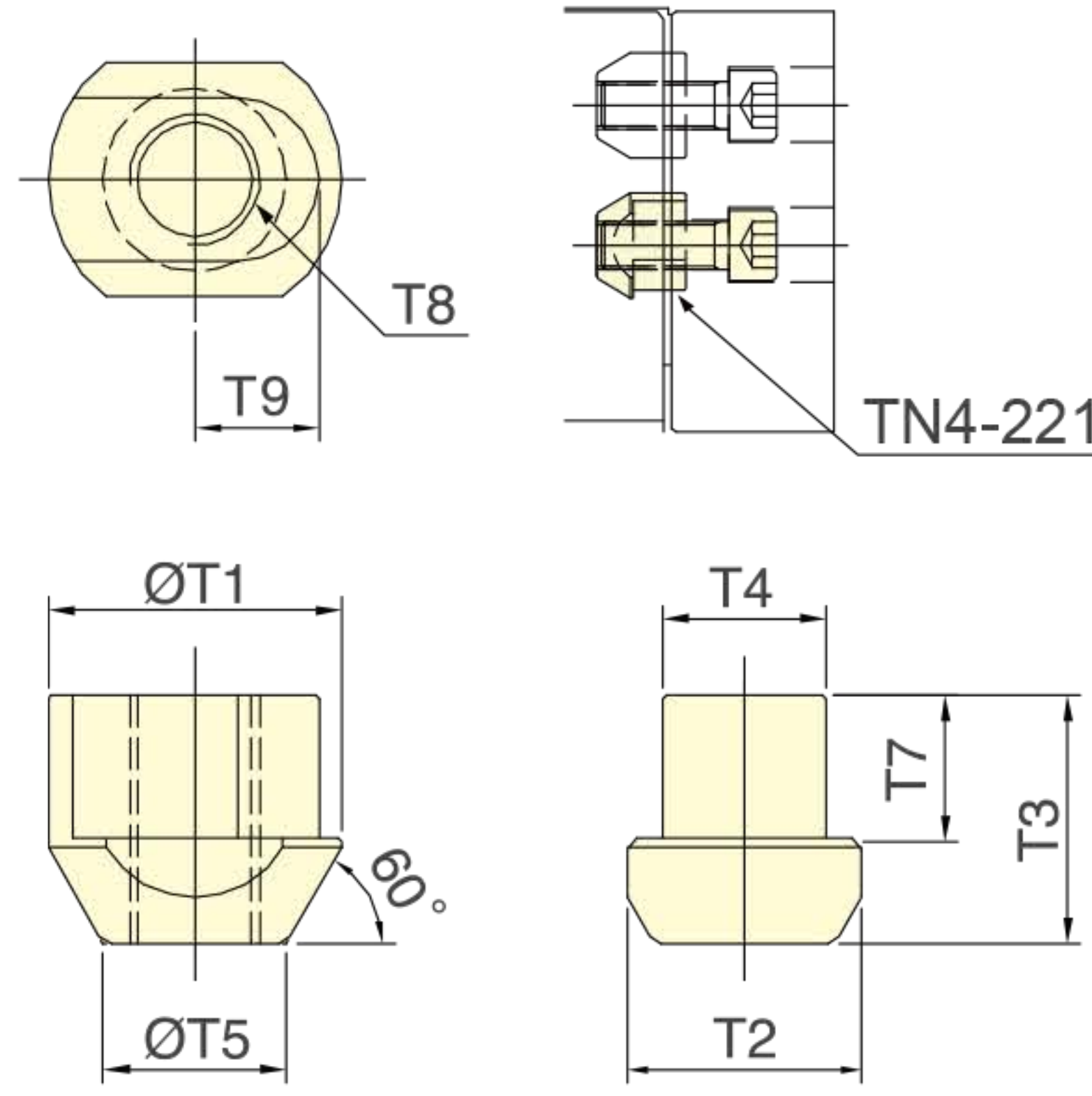
TN1



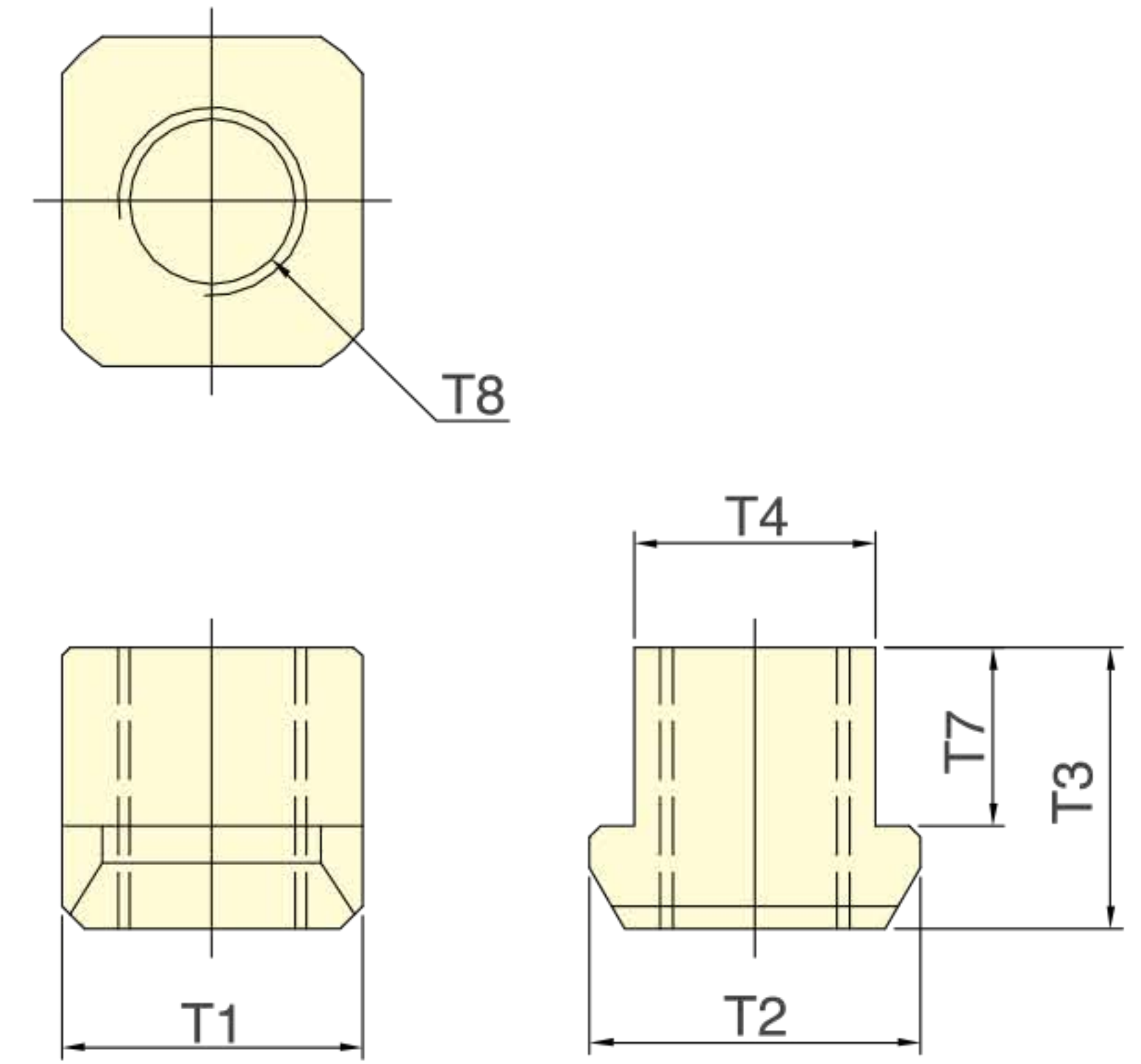
TN2



TN3



TN4



TN5

Subject to technical changes

DIMENSIONS

Model	T1	T2	T3	T4	T5	T6	T7	T8	T9	T10	T11	Matching Chuck	3 Jaw Weight
													kg
TN1-04	26	14	15	10	14	6	9.5	M8	5	-	-	3H-204, 2H-204, 3P-04, 2P-04, 3H-205, 2H-205, 3P-05, 2P-05, 3L-205, 2L-205, 3M-05, 2M-05, SP-304	0.06
TN1-06	36	17	18.5	12	20	8	11	M10	6	-	-	3H-206, 2H-206, 4H-06, RAP-306, 3P-06, 2P-06, 3L-206, 2L-206, 1L-06, 3M-06, 2M-06, 3N-06, SP-306, AP-52	0.15
TN1-08	46.5	20	20.5	14	25	10.5	12	M12	10	-	-	3H-208, 2H-208, 4H-08, RAP-308, 3P-08, 2P-08, 3L-208, 2L-208, 1L-08, 3M-08, 2M-08, 3N-08, 4T-08, SP-308, AP-66	0.27
TN1-10	51	22	21.5	16	30	11	13	M12	11	-	-	3H-210, 2H-10, 4H-10, RAP-310, 3P-10, 2P-10, 3L-210, 2L-210, 1L-10, 3M-10, 2M-10, 3N-10, 4T-10, SP-310, AP-86	0.36
TN1-12	55.5	29.5	28	21	30	12	16.7	M16	13	-	-	2H-12, 3P-12, 2P-12, 2L-12, 3M-12, 2M-12	0.63
TN2-12	55.5	29.5	28	21	30	12	16.7	M14	13	18	4.5	2H-12, 3P-12, 2P-12, 2L-12, 3M-12, 2M-12	0.63
TN1-15	80	35	39	25.5	43	17	20	M20	14	-	-	3H-18, 3H-18B, 2H-15, 4H-15, 4H-18, 3P-215, 3P-218, 2P-15, 3L-15, 2L-15, 3M-215, 3M-218, 3V-15, 3V-18, 4T-15	1.53
TN2-15	80	35	39	25.5	43	17	20	M20	14	22	6	3H-18, 3H-18B, 2H-15, 4H-15, 4H-18, 3P-215, 3P-218, 2P-15, 3L-15, 2L-15, 3M-215, 3M-218, 3V-15, 3V-18	1.5
TN1-212	56	29.5	23.5	21	30	12	12	M16	10	-	-	3H-12, 4H-12, 3H-212, 3L-212, 3V-12, 4T-15, AP-115	0.63
TN2-212	56	29.5	23.5	21	30	12	12	M14	10	18	4	3H-12, 4H-12, 3H-212, 3L-212, 3V-12, 4T-15, AP-115	0.63
TN1-215	80	35	34	25.5	43	17	19	M20	14	-	-	3H-15, 3H-215, 3L-215	1.32
TN2-215	80	35	34	25.5	43	17	19	M20	14	22	6	3H-15, 3H-215, 3L-215	1.29
TN3-21	46	37.5	45	25	26	-	26	M20	-	-	-	3P-221, 3P-224, 3M-221, 3M-224, 3V-21, 3V-24, 3V-32	1.84
TN3-221	45	36	38	25	28	-	22	M20	-	-	-	3H-221, 3H-224, 3H-232	0.69
TN4-221	45	36	38	25	28	-	22	M20	19	-	-	3H-221, 3H-224, 3H-232	0.63
TN5-185	32	35	30	25.5	-	-	19	M20	-	-	-	AP-145, AP-185, AP-230, AP-275	0.15
TN5-320	36	42	39	30	-	-	24	M24	-	-	-	AP-320, AP-375	0.24